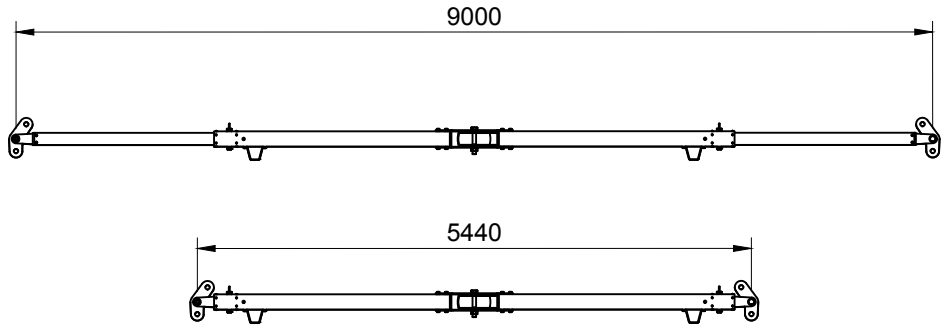
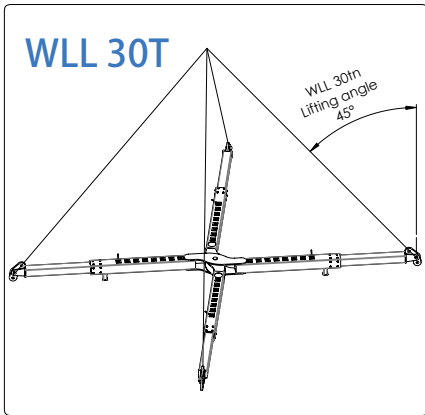
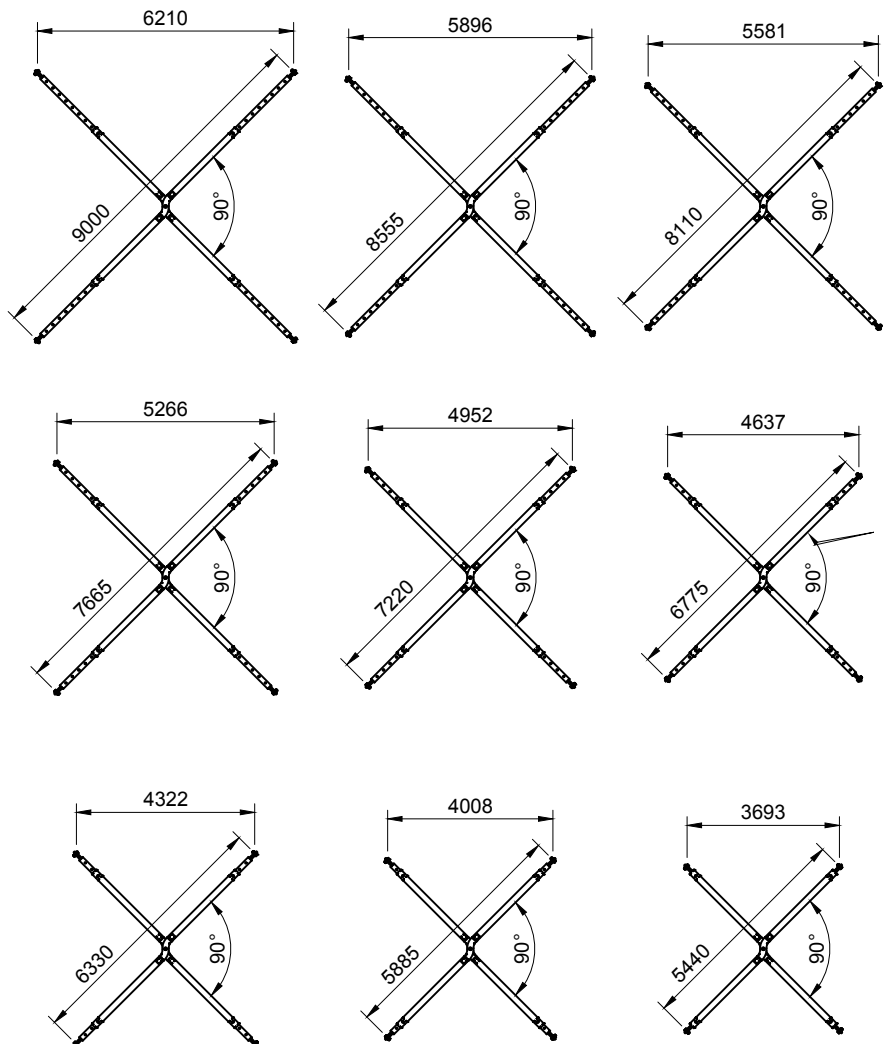
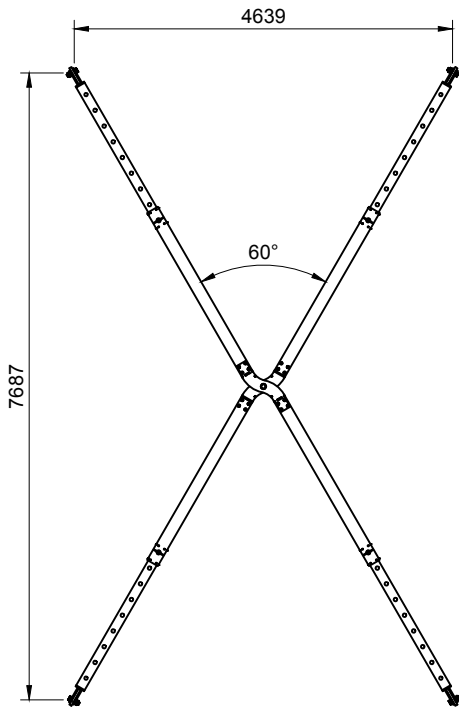
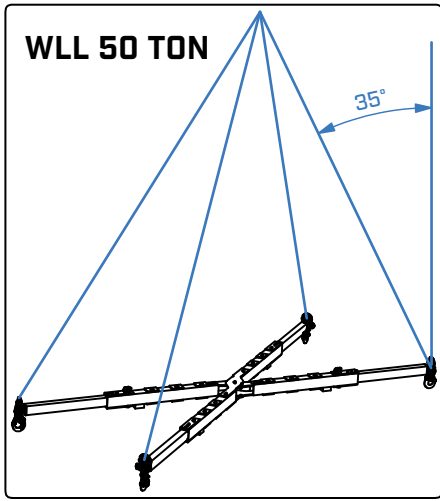


alux³⁰

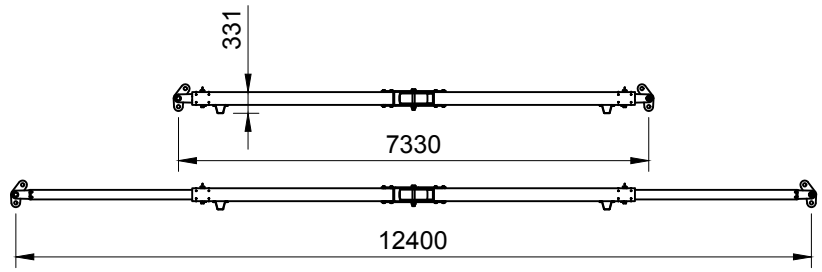


Max Load: 30 ton
Material: Steel
Net Weight: 565 kg





ALUEX⁵⁰



Max load ALUEX50 WLL 50t

Max Load: 50 ton
 Material: Steel
 Weight: 1050 kg
 Color: Light blue (RAL 5012)

At maximum length:

35° = 50tn max. 50° = 29.4tn max.
 40° = 41.7tn max. 55° = 24.5tn max.
 45° = 35tn max. 60° = 20.2tn max.

